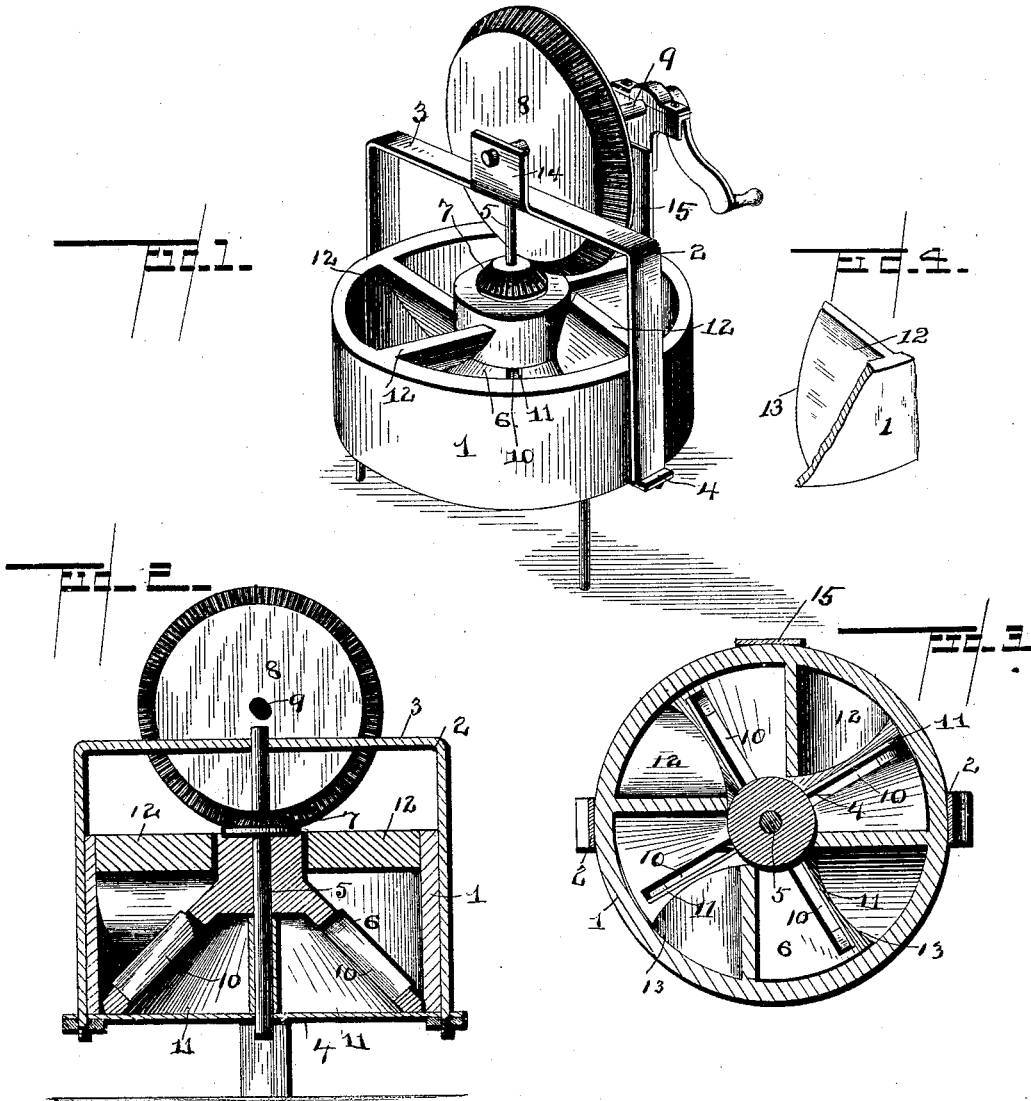


(No Model.)

F. JACKSON.  
POTATO CUTTER.

No. 481,629.

Patented Aug. 30, 1892.



Witnesses

*J. G. Seitz*  
*H. J. Riley*

Inventor

*Fountain Jackson*

By his Attorneys,

*C. A. Snow & Co.*

# UNITED STATES PATENT OFFICE.

FOUNTAIN JACKSON, OF HAWLEY'S STORE, NORTH CAROLINA.

## POTATO-CUTTER.

SPECIFICATION forming part of Letters Patent No. 481,629, dated August 30, 1892.

Application filed September 30, 1891. Serial No. 407,335. (No model.)

*To all whom it may concern:*

Be it known that I, FOUNTAIN JACKSON, a citizen of the United States, residing at Hawley's Store, in the county of Sampson and State of North Carolina, have invented a new and useful Potato-Cutter, of which the following is a specification.

The invention relates to improvements in vegetable-cutters.

10 The object of the present invention is to simplify and improve the construction of vegetable cutters and to increase their capacity.

The invention consists in the construction and novel combination and arrangement of 15 parts hereinafter fully described, illustrated in the accompanying drawings, and pointed out in the claim hereto appended.

In the drawings, Figure 1 is a perspective view of a cutter constructed in accordance 20 with this invention. Fig. 2 is a vertical sectional view. Fig. 3 is a horizontal sectional view. Fig. 4 is a detail perspective view of one of the triangular partitions.

Referring to the accompanying drawings, 1 25 designates a cylindrical casing having secured to its sides a rectangular frame 2, in the top and bottom bars 3 and 4 of which is journaled a vertical shaft 5, which carries a conical knife-frame 6 and which is provided near its upper 30 end with a pinion 7, meshing with a cog-wheel 8 of a horizontal shaft 9. The conical knife frame or carrier 6 is provided with openings 10, and has secured within the openings blades 11, which operate in conjunction with inclined 35 triangular division-boards or partitions 12, which are four in number and are arranged at right angles to each other or at diametrically-opposite points on the cylindrical casing. The triangular partitions divide the casing 40 into four compartments and have curved edges 13, arranged adjacent the conical knife-carrier 6. The cutter is especially designed for potatoes, and a potato is placed in each compartment and is carried by the knife-

frame 6 under an inclined partition, where it 45 is operated on by the blade and is sliced, the arrangement of the inclined partitions forming a self-feed. By this arrangement the capacity of the cutter is greatly increased, the compartments being of greater length by hav- 50 ing the partitions inclined than they would be were the partitions straight. The horizontal shaft is journaled in bearings of an extension 14 of the frame 2 and a bar 15. The casing is supported on suitable legs to keep 55 the lower end or base of the conical knife-carrier which is adjacent to the bottom of the cylindrical casing above a suitable receptacle. The inclined partitions being concavo-convex makes the slices cut very thin. The concave 60 face is the upper one, and the edges of the partitions adjacent the conical knife frame or carrier are curved to conform to the latter, owing to the obliquity of the partitions.

The cutter is especially advantageous in 65 operating on potatoes, vegetables, and the like; but it may also be employed to shave ice for soda-water, lemonade, milk-shakes, and similar liquid beverages. The outer end of the horizontal shaft is squared, and a suitable 70 crank-handle is provided, whereby the device is operated.

What I claim is—

In a vegetable-cutter, the combination of a casing, a vertical shaft mounted therein, a 75 conical knife-carrier mounted on the shaft and provided with blades, and the concavo-convex inclined partitions having curved edges arranged adjacent to the conical knife-carrier, substantially as described. 80

In testimony that I claim the foregoing as my own I have hereto affixed my signature in presence of two witnesses.

FOUNTAIN JACKSON.

Witnesses:

OLLEN JACKSON,  
J. S. BIZZELL.